


LED



ATEX Ex Marking:

 II 2 GD
 Ex de II B T6 Gb
 Ex tb III C T80°C Db

Standard: GB3836.1, GB3836.2
 EN60079-0:2009, EN60079-1:2007,
 EN60079-31:2009
 IEC60079-0:2007, IEC60079-1:2007,
 IEC60079-31:2008

Application

- Can be widely used in petroleum, chemical, terminals, ports, aerospace, aviation, military, processing and other places.
- Harsh environment, moist area.
- Gas explosive environment : Group IIA, IIB, IIC
- Zone 1, Zone2; Zone 21, Zone 22
- Temperature class: T1 to T6

Characteristics

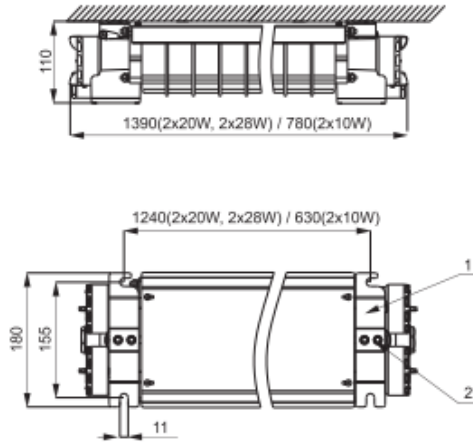
- Support parallel connected, no need to use the junction box, support ceiling, pole, wall mounting type.
- Equipped with world brand light source, electrical appliance.
- Products using flameproof increased safety structure, easy to install with separate wiring chamber, meet the latest requirements of explosion proof lighting, safe and reliable operation in explosive hazardous areas.
- Light housing made of aluminum alloy, high strength, stainless steel exposed fasteners not color, not rust, can prevent rain

Technical Specification

Item	Technical specification		Remark
Light source	LED	Fluorescent lamp	T8 LED lamp, T5 fluorescent lamp
Rated power	2×20W、2×10W	2×28	
Input voltage range	100-240VAC	220-240VAC, 110VAC	
Input frequency	50/60Hz	50/60Hz	
The entire lighting efficiency	70lm/W	60lm/W	
Light source efficiency	90lm/W	70lm/W	
CRI (Ra)	80	70	
Service life (h)	>50000	>20000	The light fades less than 30% of the initial value
Color Temperature	5300K-6000K	4000K	2700-6000K is available as order for LED Tube
Drop cable	Φ10mm-Φ14mm	Φ10mm-Φ14mm	G3/4", NPT3/4", M25 is available as order
Terminals	Multi-strand wire: ≤2.5mm ²		
	Single-strand wire : ≤4mm ²		
Dimensions (mm)	1390mm	1390mm	2×20W
	780mm		2×10W
Net weight (kg)	11Kg	11Kg	2×20W
	7.5Kg		2×10W

Drawing of dimension (Dimensions in mm)

Ceiling-mounted



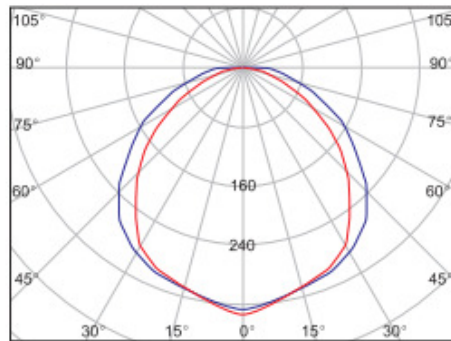
Lamps Ordering Information

Order No.	Installation	Lamp power	Light source
BC5401L10A	Ceiling	2 × 10W	LED
BC5401L20A		2 × 20W	LED
BC5401L28A		2 × 28W	Fluorescent Lamp

Fitting Ordering Information (Standard)

Order No.	No.	Specifications Model	Quantity
P08	1	Ceiling Bracket	2
	2	M6 Bolt	4

Light distribution curve

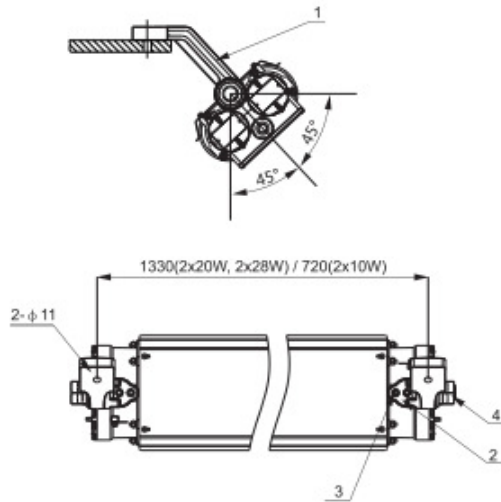


2x20W LED Tube

— 0°
— 90°

Drawing of dimension (Dimensions in mm)

Derrick installation



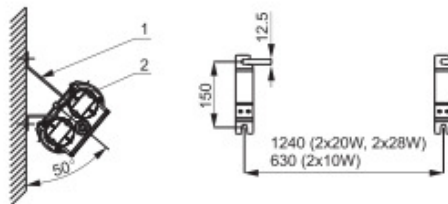
Lamps Ordering Information

Order No.	Installation	Lamp power	Light source
BC5401L10A	Derrick type	2 × 10W	LED
BC5401L20A		2 × 20W	LED
BC5401L28A		2 × 28W	Fluorescent Lamp

Fitting Ordering Information (Standard)

Order No.	No.	Specifications Model	Quantity
P09	1	Derrick bracket	2
	2	Base	2
	3	M6 Bolt	4
	4	M24 Bolt	2

Sidewall installation



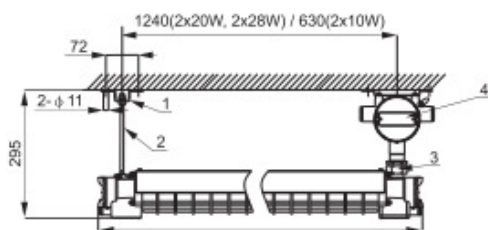
Lamps Ordering Information

Order No.	Installation	Lamp power	Light source
BC5401L10A	Sidewall type	2 × 10W	LED
BC5401L20A		2 × 20W	LED
BC5401L28A		2 × 28W	Fluorescent Lamp

Fitting Ordering Information (Standard)

Order No.	No.	Specifications Model	Quantity
P10	1	Sidewall bracket	2
	2	M6 Bolt	4

Pole mounting



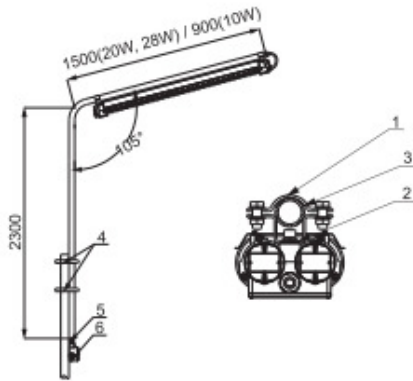
Lamps Ordering Information

Order No.	Installation	Lamp power	Light source
BC5401L10A	Pole mounting	2 × 10W	LED
BC5401L20A		2 × 20W	LED
BC5401L28A		2 × 28W	Fluorescent Lamp

Fitting Ordering Information (Standard)

Order No.	No.	Specifications Model	Quantity
P13	1	Pole mounting bracket	1
	2	19cm Screw(M8)	1
	3	Adaptere (external-external)	1
	4	Explosion proof junction box	1

Rod mounting



Lamps Ordering Information

Order No.	Installation	Lamp power	Light source
BC5401L10A	Rod	2 × 10W	LED
BC5401L20A		2 × 20W	LED
BC5401L28A		2 × 28W	Fluorescent Lamp

Fitting Ordering Information (Standard)

Order No.	No.	Specifications Model	Quantity
P11	1	Upper hoop	2
	2	Under hoop	2
P12	3	DN32 Poles	1
	4	U tube clip	2
P02	5	Adaptore (external-external)	1
	6	Explosion proof junction box	1