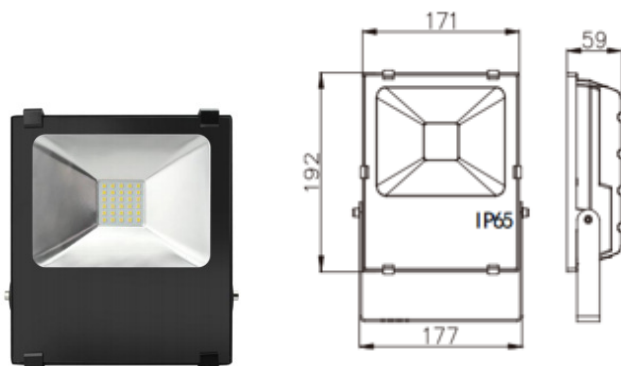




| Model | Watt | LED Chip | Color Temp | Brightness (LM) | Beam Angle | Input Voltage (VAC) | Working Temp | IP rate | CRI |
|------------|------|----------------|------------|-----------------|------------|---------------------|--------------|---------|------|
| LT-FL-30F | 30W | PHILIPS | 6000-6500K | > 3300 | 120° | 90-240 | -20°~ 40° | IP65 | > 80 |
| | | | 4000-4500K | | | | | | |
| | | | 3000-3500K | | | | | | |
| LT-FL-50F | 50W | | 6000-6500K | > 5500 | | | | | |
| | | | 4000-4500K | | | | | | |
| | | | 3000-3500K | | | | | | |
| LT-FL-80F | 80W | | 6000-6500K | > 8800 | | | | | |
| | | | 4000-4500K | | | | | | |
| | | | 3000-3500K | | | | | | |
| LT-FL-100F | 100W | 6000-6500K | > 11000 | | | | | | |
| | | 4000-4500K | | | | | | | |
| | | 3000-3500K | | | | | | | |
| LT-FL-120F | 120W | 6000-6500K | > 13200 | | | | | | |
| | | 4000-4500K | | | | | | | |
| | | 3000-3500K | | | | | | | |
| LT-FL-150F | 150W | 6000-6500K | > 16500 | | | | | | |
| | | 4000-4500K | | | | | | | |
| | | 3000-3500K | | | | | | | |
| LT-FL-200F | 200W | 6000-6500K | > 22000 | | | | | | |
| | | 4000-4500K | | | | | | | |
| | | 3000-3500K | | | | | | | |

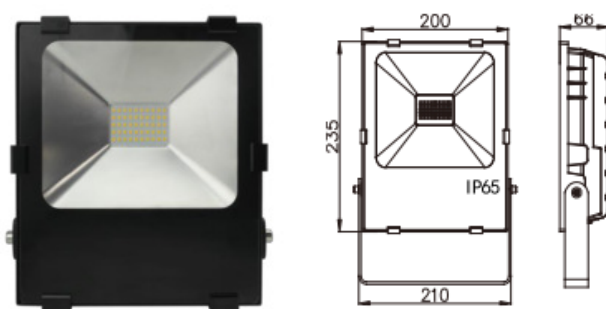
30W



| | | | |
|----|---------|--|--------|
| 2m | 336.9lx | | 5.71m |
| 3m | 149.71 | | 8.56m |
| 4m | 94.23lx | | 11.42m |
| 5m | 53.91lx | | 14.28m |
| 6m | 37.44lx | | 17.13m |

Height Lux Angle: 120° Diameter Ø

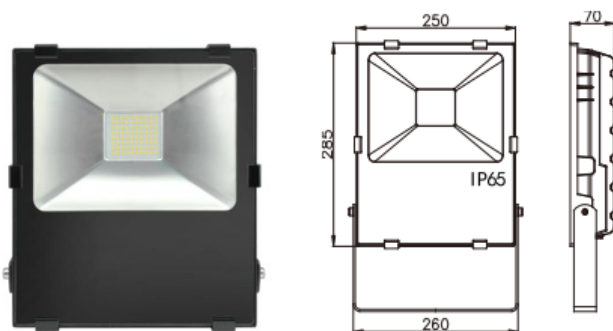
50W



| | | | |
|----|----------|--|--------|
| 2m | 461.01lx | | 2.71m |
| 3m | 204.91lx | | 8.56m |
| 4m | 115.31lx | | 11.42m |
| 5m | 73.77lx | | 14.28m |
| 6m | 51.231lx | | 17.12m |

Height Lux Angle: 120° Diameter Ø

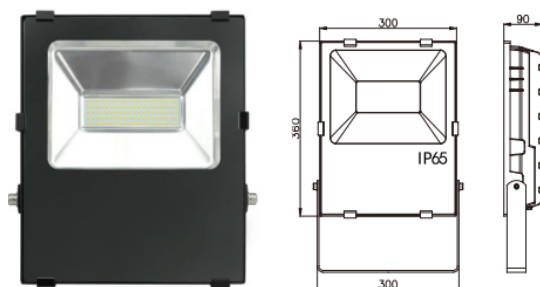
80W



| | | | |
|----|----------|--|--------|
| 3m | 431.91lx | | 8.56m |
| 4m | 242.91lx | | 11.42m |
| 5m | 155.51lx | | 14.28m |
| 6m | 108.01lx | | 17.13m |
| 7m | 79.321lx | | 19.99m |

Height Lux Angle: 120° Diameter Ø

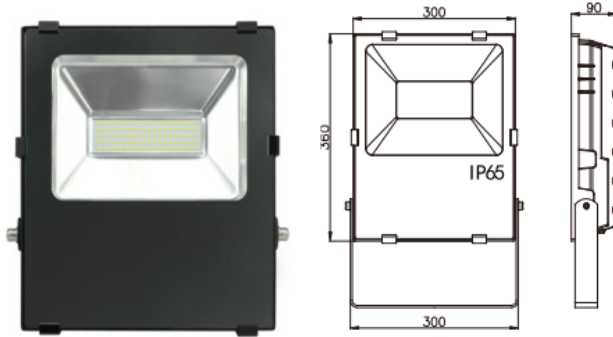
100W



| | | | |
|----|----------|--|--------|
| 3m | 530.81 | | 8.56m |
| 4m | 298.61lx | | 11.42m |
| 5m | 191.11lx | | 14.28m |
| 6m | 132.71lx | | 17.13m |
| 7m | 97.491lx | | 19.99m |

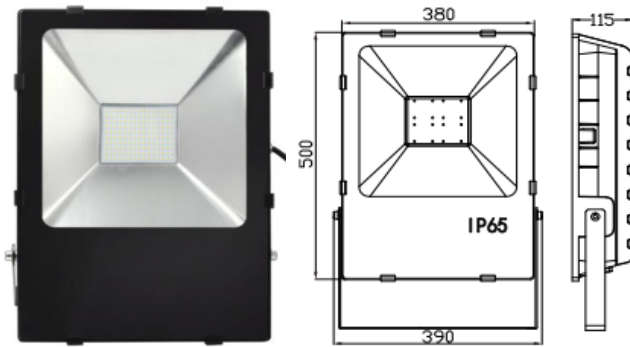
Height Lux Angle: 120° Diameter Ø

120W



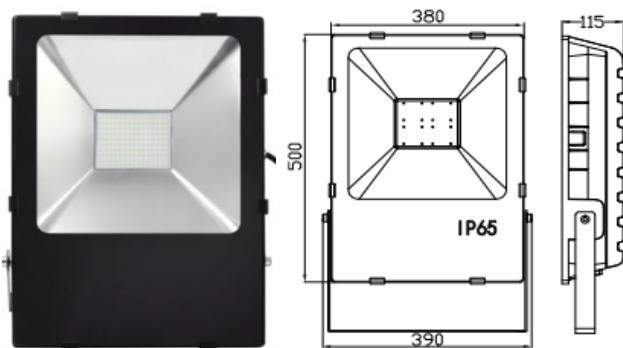
| | | | |
|--------|----------|--------------|------------|
| 2m | 16791lx | | 4.34m |
| 4m | 419.81lx | | 8.68m |
| 6m | 186.61lx | | 13.04m |
| 8m | 104.91lx | | 17.39m |
| 10m | 67.161lx | | 21.74m |
| Height | Lux | Angle: 120 ° | Diameter Ø |

150W



| | | | |
|--------|----------|--------------|------------|
| 2m | 14671lx | | 5.71m |
| 4m | 366.71lx | | 11.42m |
| 6m | 163.01lx | | 17.13m |
| 8m | 91.691lx | | 22.85m |
| 10m | 58.681lx | | 28.56m |
| Height | Lux | Angle: 120 ° | Diameter Ø |

200W



| | | | |
|--------|----------|--------------|------------|
| 2m | 168.90lx | | 5.71m |
| 4m | 492.91lx | | 11.42m |
| 6m | 219.11lx | | 17.13m |
| 8m | 145.16lx | | 22.85m |
| 10m | 86.97lx | | 28.56m |
| Height | Lux | Angle: 120 ° | Diameter Ø |