



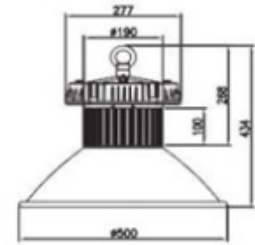
LED High Power High Bay Set

Model	Watt	LED Chip	Color Temp	Brightness (LM)	Beam Angle (Degree)	Input Voltage (V)	Life span	IP Rate	Typical CRI
LT-HB-80	80W	PHILIPS	6000-6500K	>8400 lm	80/100/120°	90-305	> 50,000	IP40 IP65	> 70Ra
			4000-4500K						
			3000-3500K						
LT-HB-100	100W		6000-6500K	>9800 lm					
			4000-4500K						
			3000-3500K						
LT-HB-150	150W		6000-6500K	>15000 lm					
			4000-4500K						
			3000-3500K						
LT-HB-200	200W		6000-6500K	>19800 lm					
		4000-4500K							
		3000-3500K							
LT-HB-250	250W	6000-6500K	>24000 lm						
		4000-4500K							
		3000-3500K							
LT-HB-300	300W	6000-6500K	>28500 lm						
		4000-4500K							
		3000-3500K							
LT-HB-350	350W	6000-6500K	>33500 lm						
		4000-4500K							
		3000-3500K							
LT-HB-400	400W	6000-6500K	>38000 lm						
		4000-4500K							
		3000-3500K							

LED 80W High Bay



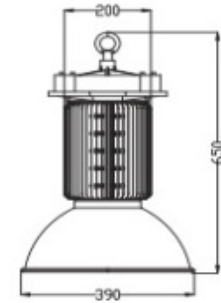
4m	614lx		6.71m
6m	273lx		10.07m
8m	153lx		13.42m
10m	98lx		16.78m
Height	Lux	80Deg	Diameter ϕ



LED 100W High Bay



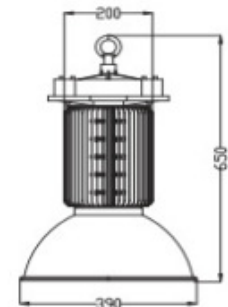
4m	753lx		6.71m
6m	334lx		10.07m
8m	189lx		13.42m
10m	120lx		16.78m
Height	Lux	80Deg	Diameter ϕ



LED 150W High Bay



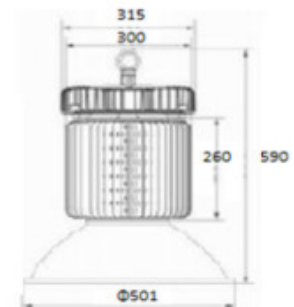
4m	1128lx		6.71m
6m	501lx		10.07m
8m	282lx		13.42m
10m	179lx		16.78m
Height	Lux	80Deg	Diameter ϕ



LED 200W High Bay



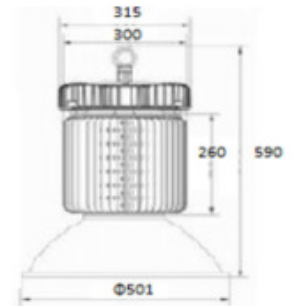
4m	951lx		13.85m
6m	422lx		20.78m
8m	238lx		27.71m
10m	153lx		34.64m
Height	Lux	120Deg	Diameter ϕ



LED 250W High Bay



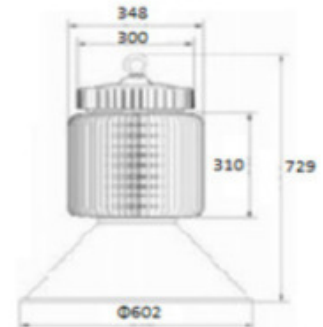
4m	1189lx		13.85m
6m	528lx		20.78m
8m	297lx		27.71m
10m	192lx		34.64m
Height	Lux	120Deg	Diameter ϕ



LED 300W High Bay



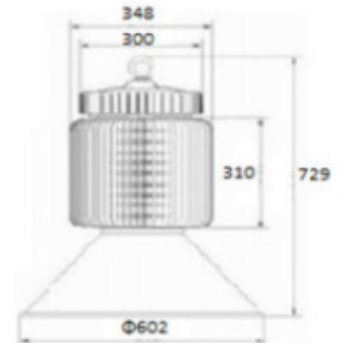
4m	1411lx		9.53m
6m	626lx		14.3m
8m	352lx		19.06m
10m	227lx		23.83m
Height	Lux	100Deg	Diameter ϕ



LED 350W High Bay



4m	2009lx		9.53m
6m	892lx		14.3m
8m	500lx		19.06m
10m	320lx		23.83m
Height	Lux	100Deg	Diameter ϕ



LED 400W High Bay



4m	2009lx		9.53m
6m	892lx		14.3m
8m	500lx		19.06m
10m	320lx		23.83m
Height	Lux	100Deg	Diameter ϕ

