

Description & Features

- Aluminum alloy 6063 base+PC cover.
- High quality Epistar LED chips, lower lumen decrease.
- Lumens efficiency more than 130lm/w for fixture, CRI>80Ra.
- No bad glare and stroboscopic, no flicker.
- Power factor greater than 0.95.
- Electric wave resistant, Instant start.
- Long life, L70>50,000 Hours.
- Professional technology support, can offer Dialux solution, IES.



Certificate

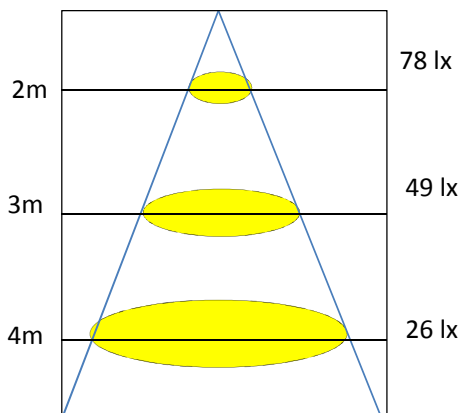
- CE, RoHs, ETL(No.4003956)

LEDit T8 Tubes

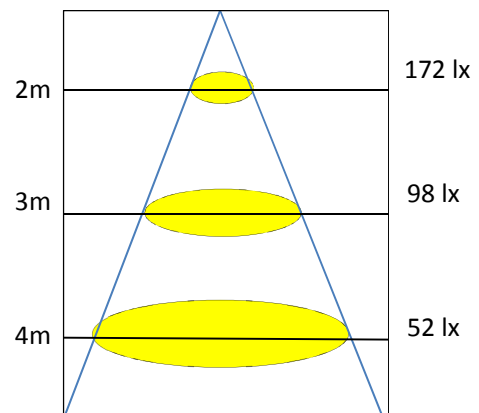
Watt	LED Chip	Color Temp	Brightness	Beam Angle	Input Voltage (VAC)	Life span (Hours)	Typical CRI	IP Rate
9W	EPISTAR	6000-6500K	> 1000lm	180°	90 - 240	> 50,000	> 80 Ra	IP40
		4000-4500K						
		3000-3500K						
18W		6000-6500K	> 2300lm					
		4000-4500K						
		3000-3500K						

*Certificate: CE, ROHS, PSE, C-TICK

T8 9W Tubes



T8 18W Tubes



Dimension

