

- Ex
- IECEX
- ATEX
- CE
- RoHS
- LM79
- IP66
- Ta 50
- Ta -25



Ex Marking: Ex d e IIC T5/T6 Gb  
Ex tb IIC T95°C/T80°C Db,IP66

## Characteristics

- It is made using a special aluminum housing, highly corrosive environment of offshore platforms, chlor-alkali, vulcanization cyanide a full range of high conductivity material accelerate convection cooling structure, effective guarantee long-term use in high temperature environments.
- variety of Light distribution, variety of installation types, an effective solution to beautify workshop and device platform.
- The shell is made of high-tech surface coating technology, corrosion resistant, waterproof and dustproof, suitable for harsh environments.
- Nichia chips, imported light, high luminous efficiency, low-light failure, reliability ranking first in the same light source.
- Taiwan Meanwell power supply or same quality power supply, power factor above 0.98, high reliability and long time Life time .. Independent wiring chamber, safe and easy installation and maintenance.
- All exposed fasteners adopt 304 stainless steel.
- Type A: usually can be used for 24 hours lighting lamps and lanterns to use, when the accident to provide Emergency lighting; type B : accident to provide Emergency lighting.
- B type A type with manual Emergency function.

## Application

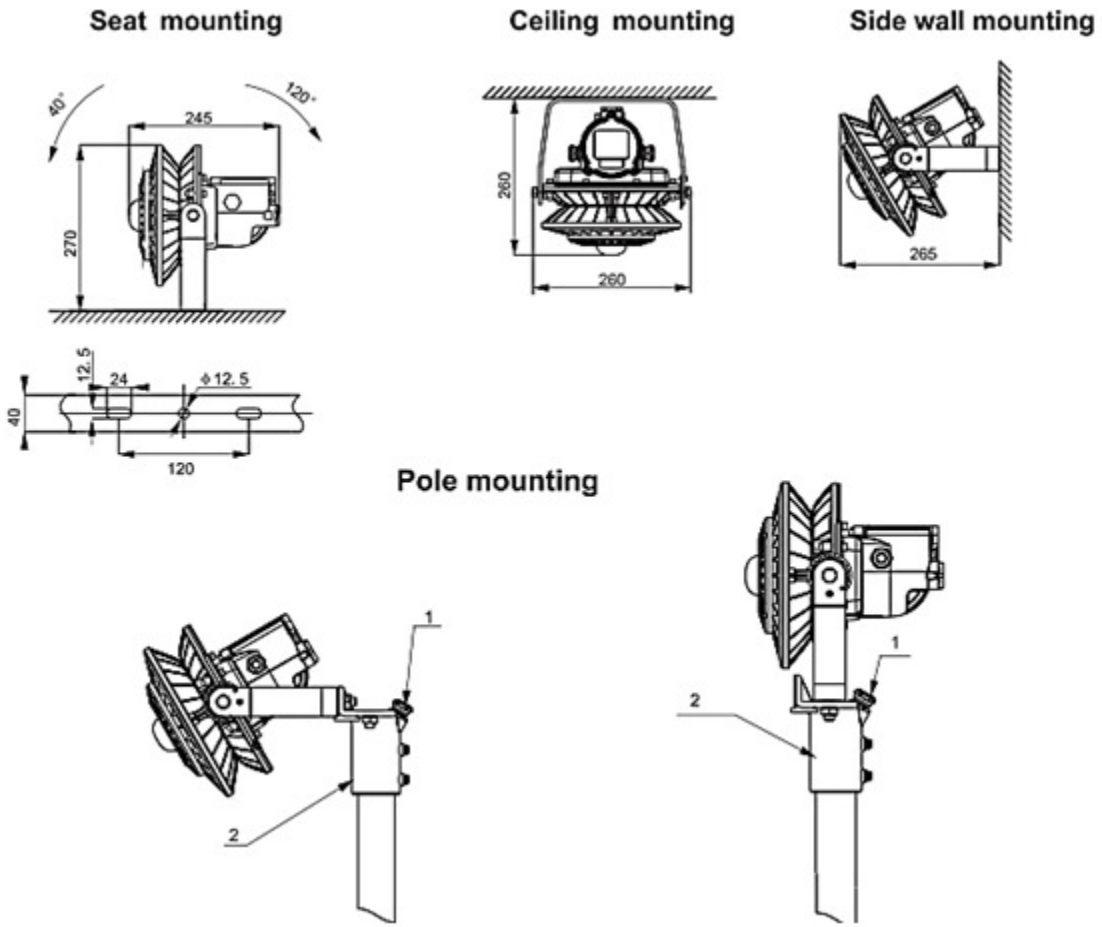
- Ideal to be used in the oilfield,chemical industry, offshore drilling platform,steel industry,petroleum etc.
- Gas explosive environment:Group IIA,IIB,IIC.
- Zone 1,zone 2;zone 21,zone 22.



## Main Specification

Item	Technical Specification
Input voltage range	100~240VAC
Rated frequency	50Hz / 60Hz
Light source	LED
CRI (Ra)	70 (option80)
Life time (h)	100000
CCT	5000K(3000K/4000K optional)
Cable Entry	M20 , M25 , NPT3/4" , NPT1/2" , G3/4"
Terminals	Multi core: ≤2.5mm <sup>2</sup>
	Single core: ≤4mm <sup>2</sup>
Time Of Charging	>6h
rated capacity	2.6Ah / 14.8V
Dimension	245×260×270mm
Net weight (kg)	4.9

**Dimension of mounting (Dimensions in mm)**



Auto Emergency								
BC9306BS-15-60°×80°		/	15W	150min	1800		1.25	35W
BC9306BS-25-60°×80°		/	25W	90min	3300		1.25	70W
BC9306BS-15-90°×110°		/	15W	150min	1700		1.75	35W
BC9306BS-25-90°×110°		/	25W	90min	3100		1.75	70W
BC9306BS-15-200°		/	15W	150min	1400		1.75	35W
BC9306BS-25-200°		/	25W	90min	2600		1.75	70W