



Ex Marking: Ex d e IIC T5/T6 Gb
Ex tb IIIC T95°C/T80°C Db,IP66

Characteristics

- It is made using a special aluminum housing, highly corrosive environment of offshore platforms, chlor-alkali, vulcanization cyanide a full range of high conductivity material accelerate convection cooling structure, effective guarantee long-term use in high temperature environments.
- variety of Light distribution, variety of installation types, an effective solution to beautify workshop and device platform.
- The shell is made of high-tech surface coating technology, corrosion resistant, waterproof and dustproof, suitable for harsh environments.
- Nichia chips, imported light, high luminous efficiency, low-light failure, reliability ranking first in the same light source.
- Taiwan Meanwell power supply or same quality power supply, power factor above 0.98, high reliability and long time Life time .
- Independent wiring chamber, safe and easy installation and maintenance.
- All exposed fasteners adopt 304 stainless steel.
- Type A: usually can be used for 24 hours lighting lamps and lanterns to use, when the accident to provide Emergency lighting;
- B type: accident to provide Emergency lighting.
B type A type with manual Emergency function.

Application

- Ideal to be used in the oilfield,chemical industry, offshore drilling platform,steel industry,petroleum etc.
- Gas explosive environment:Group IIA,IIB,IIC.
- Zone 1,zone 2;zone 21,zone 22.

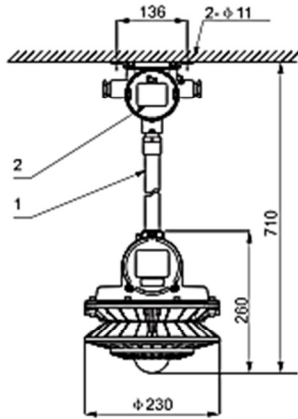


Main Specification

Item	Technical Specification
type	BC9306AP/BP
Input voltage range	100-240VAC
Rated frequency	50Hz / 60Hz
Light source	LED
CRI (Ra)	70 (option80)
Life time (h)	100000
CCT	5000K(3000K/4000K optional)
Cable Entry	M20 , M25 , NPT3/4" , NPT1/2" , G3/4"
Terminals	Multi core: $\leq 2.5\text{mm}^2$
	Single core: $\leq 4\text{mm}^2$
Time Of Charging	>6h
rated capacity	2.6Ah / 14.8V
Dimension	$\phi 230 \times 270\text{mm}$
Net weight (kg)	4.2

Dimension of mounting (Dimensions in mm)

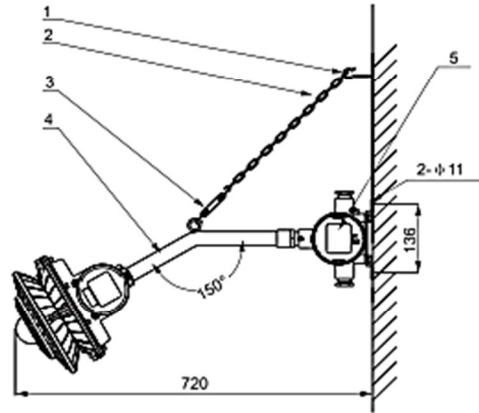
Pole mounting



Accessories order information(Pole mounting)

Ordering reference	Item no.	Specification	Quantity
P01	1	G3/4" pole 30cm	1
BHD01	2	Explosion proof junction box	1

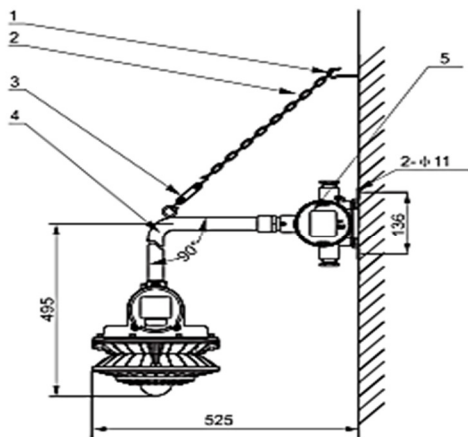
Wall mounting 150°



Accessories order information(Wall mounting 150deg)

Ordering reference	Item no.	Specification	Quantity
P03	1	Expansion screw hook	1
	2	Chain	1
	3	C-C turn buckle	1
	4	G3/4" bend pipe 150Degree	1
BHD01	5	Explosion proof junction box	1

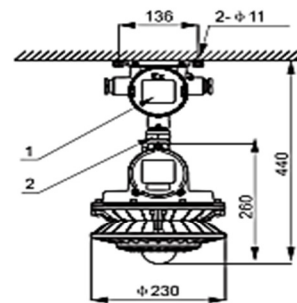
Wall mounting 90deg



Accessories order information(Wall mounting 90deg)

Ordering reference	Item no.	Specification	Quantity
P04	1	Expansion screw hook	1
	2	Chain	1
	3	C-C turn buckle	1
	4	G3/4" bend pipe 90°	1
BHD01	5	Explosion proof junction box	1

Ceiling mounting



Accessories order information(ceiling mounting)

Ordering reference	Item no.	Specification	Quantity
BHD01	1	Explosion proof junction box	1
P02	2	Adapter G3/4"(female - male)	1